



► Ready to install, stainless steel monoblock submersible pump.

Complete with:

- motor with built-in capacitor and thermal overload protector
- 20 m long power cable.



PERFORMANCE RANGE

- Flow rate up to **50 l/min** (3.0 m³/h)
- Head up to **75 m**

APPLICATION LIMITS

- Maximum liquid temperature **+40 °C**
- Maximum immersion depth of **40 m** with a sufficiently long power cable
- Vertical and horizontal installation
- Continuous service **S1**

CONSTRUCTION AND SAFETY STANDARDS

EN 60335-1	EN 60034-1
IEC 60335-1	IEC 60034-1
CEI 61-150	CEI 2-3



CERTIFICATIONS

COMPANY WITH MANAGEMENT SYSTEM
CERTIFIED BY DNV
ISO 9001: QUALITY
ISO 14001: ENVIRONMENT AND SAFETY



AN30



PROMTECT-168

INSTALLATION AND USE

Suitable for use with **clean water that does not contain abrasive particles** and liquids that are not chemically aggressive towards the materials from which the pump is made.

As a result of their compact design and economy, they are suitable for domestic applications such as the distribution of water in combination with small pressure sets and for irrigation, etc.

PATENTS - TRADE MARKS - MODELS

- Patent n. PCT/IB2009/051491
- Patent Pending n. PCT/EP2009/059855

OPTIONALS AVAILABLE ON REQUEST

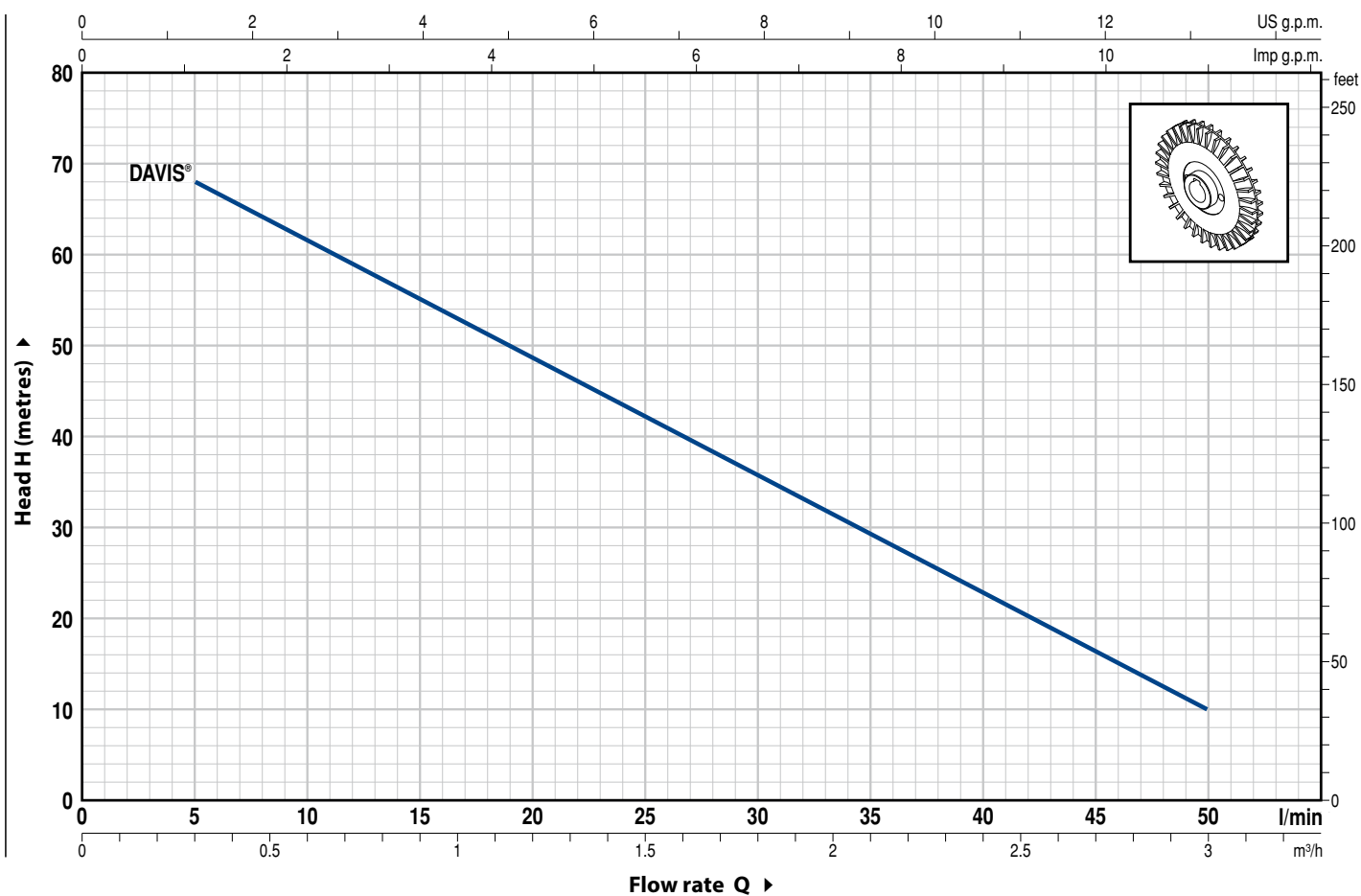
- **30 m** long power cable
- Other voltages or 60 Hz frequency

GUARANTEE

2 years subject to terms and conditions

CHARACTERISTIC CURVES AND PERFORMANCE DATA

50 Hz n= 2900 1/min



MODEL	POWER		Q	0	0.3	0.6	0.9	1.2	1.5	1.8	2.1	2.4	3.0
	kW	HP		l/min	0	5	10	15	20	25	30	35	40
Single-phase			H metres	75	68	62	55	49	42	36	29	23	5
DAVIS®	0.75	1											

Q = Flow rate H = Total manometric head

Tolerance of characteristic curves in compliance with EN ISO 9906 Grade 3.

POS.	COMPONENT	CONSTRUCTION CHARACTERISTICS
------	-----------	------------------------------

1	DELIVERY BODY	Stainless steel AISI 304, complete with threaded delivery port in compliance with ISO 228/1
2	PUMP BODY BACK-PLATE	Brass, reduces the risk of impeller seizure (patented)
3	IMPELLER	Brass, with peripheral radial vanes
4	MOTOR SLEEVE	Stainless steel AISI 304
5	MOTOR SHAFT	Stainless steel EN 10088-3 - 1.4104

6 TWO MECHANICAL SEALS SEPARATED BY AN OIL CHAMBER

Seal Model	Shaft Diameter	Position	Materials		
			Stationary ring	Rotational ring	Elastomer
AR-14	Ø 14 mm	Motor side	Ceramic	Graphite	NBR
MG1-14 SIC	Ø 14 mm	Pump side	Ceramic	Silicon carbide	NBR

7 BEARINGS 6203 ZZ - C3 / 6203 ZZ - C3

8 CAPACITOR

Capacitance

(230 V or 240 V)	(110 V)
31.5 µF 500 VL	70 µF 250 VL

9 ELECTRIC MOTOR

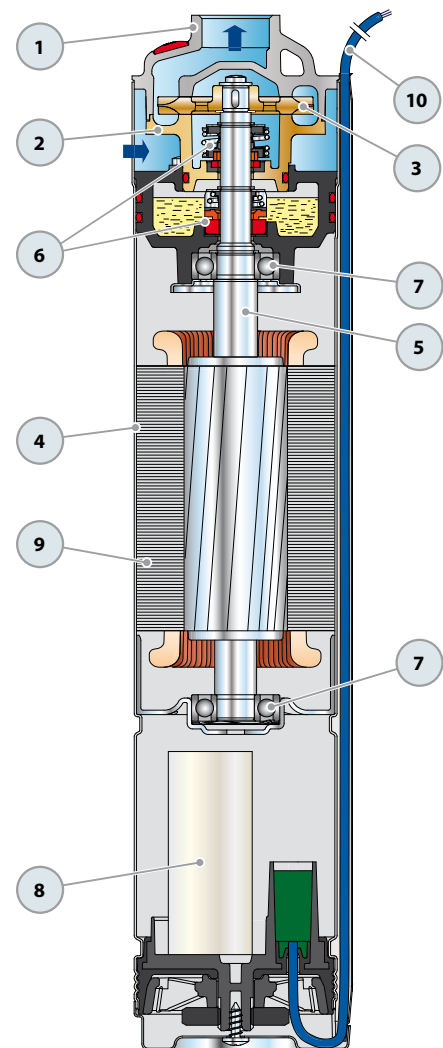
Submersible PEDROLLO motor, suitable for continuous duty (with dry, rewindable stator).

DAVISm: single-phase 230 V - 50 Hz
 Motor with built-in capacitor.
 Thermal overload protector built-in to the winding.

- Insulation: F class.
- Protection: IP X8.

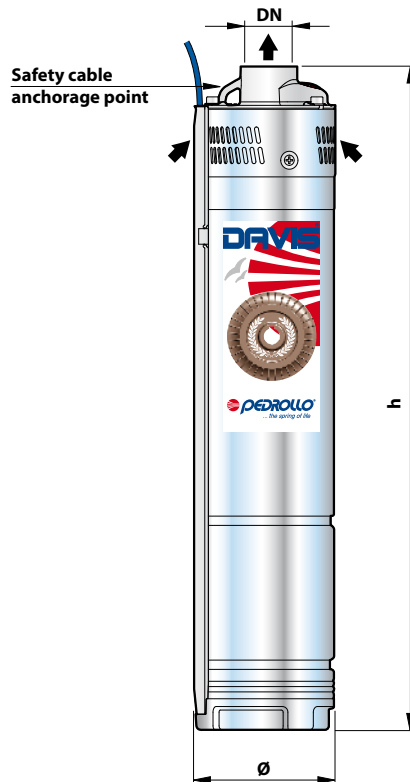
10 POWER CABLE

➔ 20 metre long PBS-P cable for AD8 permanent immersion
 NF C 15-100, ACS guaranteed for contact with drinking water

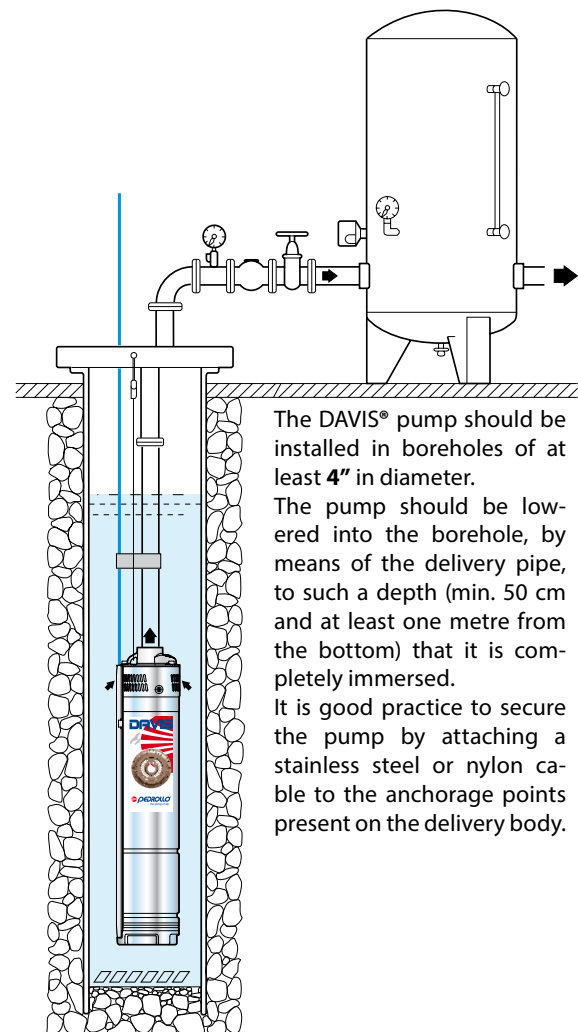


Patented

DIMENSIONS AND WEIGHT



Typical installation



MODEL	PORT	DIMENSIONS mm		kg
		Ø	h	
Single-phase	DN	101	470	12.6
DAVIS® - 230 V	1"		500	12.8
DAVIS® - 110 V				

ABSORPTION

MODEL	VOLTAGE (single-phase)		
	230 V	240 V	110 V
Single-phase	5.7 A	5.5 A	11.5 A
DAVIS®			

PALLETIZATION

MODEL	GROUPAGE / CONTAINER		
	n° pumps	H (mm)	kg
Single-phase	60	1590	1~
DAVIS® - 230 V	60	1590	780
DAVIS® - 110 V	60	1590	792

