

TOP-VORTEX/GM

Submersible pump

► for dirty water



Version with vertical magnetic float switch



PERFORMANCE RANGE

- Flow rate up to **180 l/min** (10.8 m³/h)
- Head up to **7 m**

APPLICATION LIMITS

- **3 m** maximum immersion depth
- Maximum liquid temperature **+40 °C**
(Maximum liquid temperature **+90 °C** for a maximum of 3 minutes intermittent service)
- Passage of suspended solids up to **Ø 20 mm**
- Suction down to **25 mm** above ground level
- Continuous service **S1**

CONSTRUCTION AND SAFETY STANDARDS

Complete with:

- **5 m** long power cable
- vertical magnetic float switch

EN 60335-1
IEC 60335-1
CEI 61-150

EN 60034-1
IEC 60034-1
CEI 2-3



CERTIFICATIONS



INSTALLATION AND USE

The **TOP-VORTEX/GM** pump is suitable for use with **dirty water** and comes complete with a vertical float switch meaning that the pump can be used in particularly small spaces.

As a result of the design solutions that have been adopted, such as the complete cooling of the motor and the shaft with double seal, these pumps are easy to use and reliable.

They are suitable for use in applications such as clearing dirty water, emptying tanks, discharging domestic waste water, and for emptying small collection traps containing suspended solids up to a maximum of Ø 20 mm.

PATENTS - TRADE MARKS - MODELS

- Registered Community Design n° 342159-0011

OPTIONALS AVAILABLE ON REQUEST

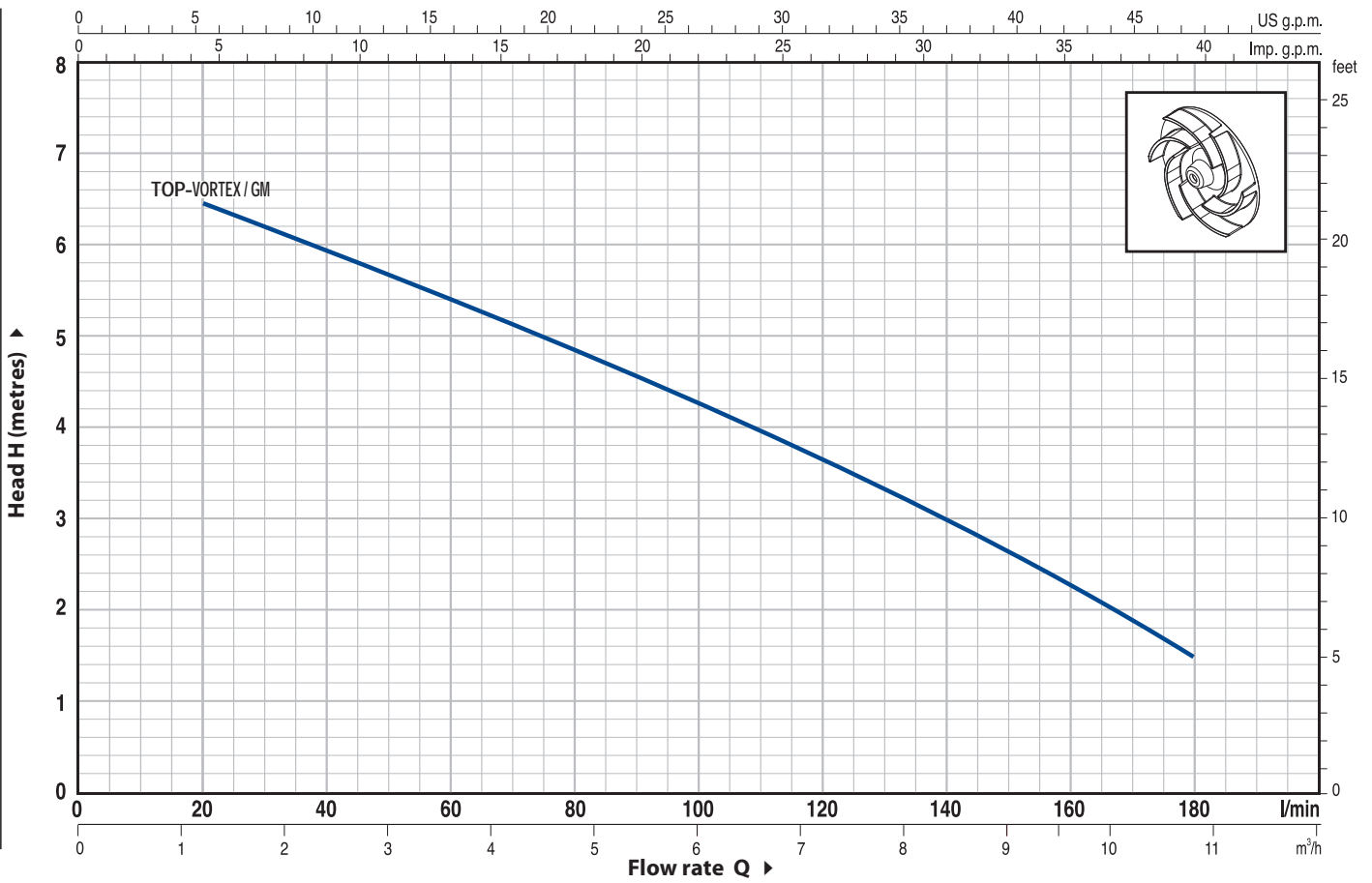
- Special mechanical seal
- Pumps with a **10 m** long power cable
 - N.B. Standard EN 60335-2-41 states that the power cable must be 10 m long for outdoor applications
- Other voltages or 60 Hz frequency

GUARANTEE

2 years subject to terms and conditions

CHARACTERISTIC CURVES AND PERFORMANCE DATA

50 Hz n= 2900 1/min



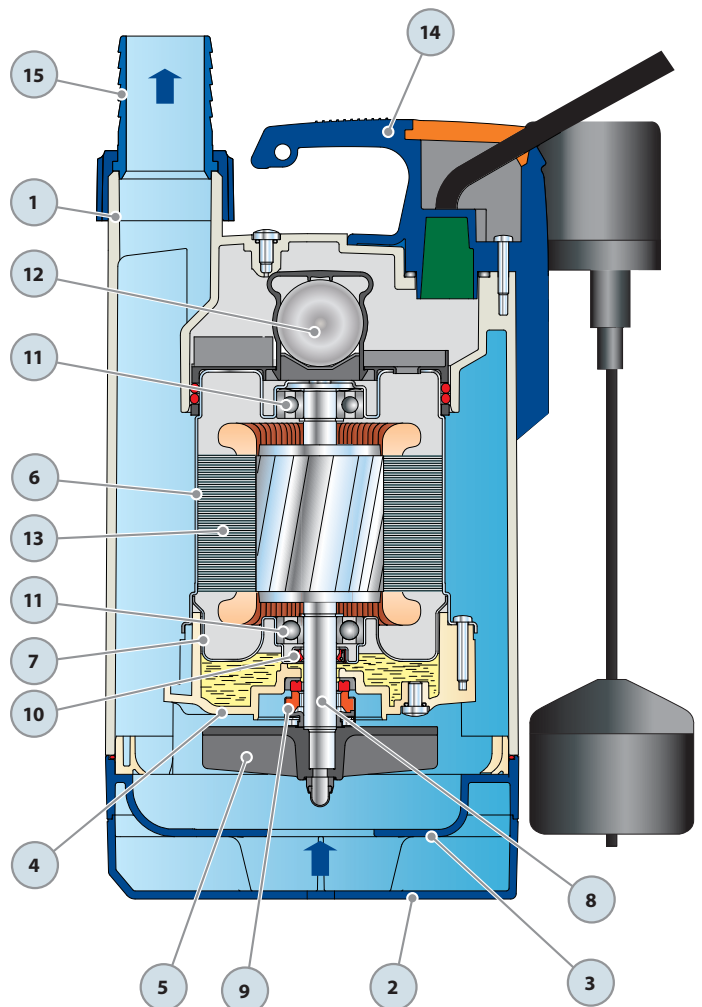
| MODEL | POWER | | Q | 0 | 1.2 | 2.4 | 3.6 | 4.8 | 6.0 | 7.2 | 8.4 | 9.6 | 10.8 |
|----------------------|-------|------|----------|---|-----|-----|-----|-----|-----|-----|-----|-----|------|
| | kW | HP | | 0 | 20 | 40 | 60 | 80 | 100 | 120 | 140 | 160 | 180 |
| Single-phase | | | | | | | | | | | | | |
| TOP-VORTEX/GM | 0.37 | 0.50 | H metres | 7 | 6.5 | 6 | 5.4 | 4.8 | 4.2 | 3.5 | 3 | 2.5 | 1.5 |

Q = Flow rate H = Total manometric head

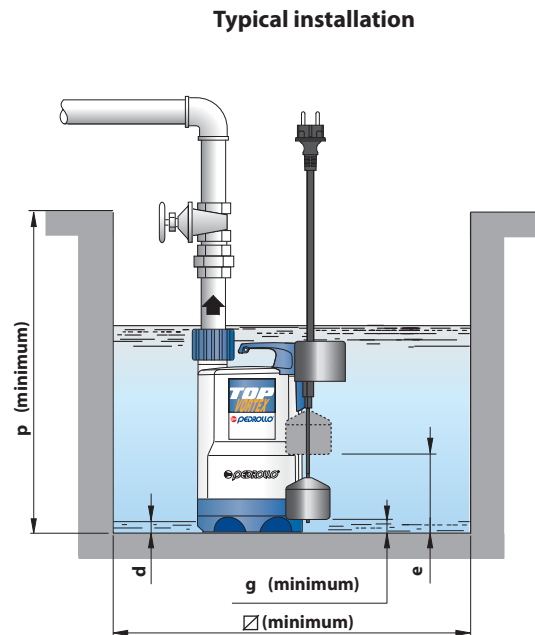
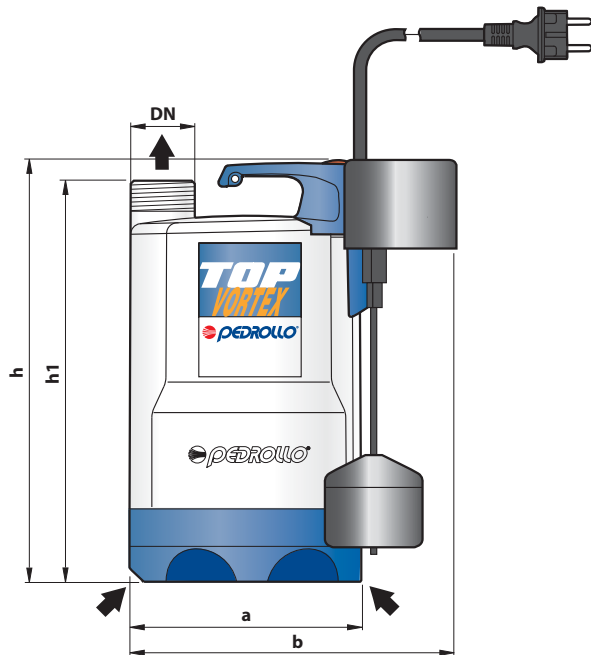
Tolerance of characteristic curves in compliance with EN ISO 9906 App. A.

TOP-VORTEX/GM

| POS. | COMPONENT | CONSTRUCTION CHARACTERISTICS | |
|------|----------------------------------------------------------------------------------------------------------------------------------------------------------------------------------------------------|-------------------------------------|----------------------------------------------------------------|
| 1 | PUMP BODY | Technopolymer | |
| 2 | SUCTION FILTER | Technopolymer | |
| 3 | SUCTION PLATE | Technopolymer | |
| 4 | DIFFUSER | Technopolymer | |
| 5 | IMPELLER | Technopolymer VORTEX type | |
| 6 | MOTOR CASING | Stainless steel AISI 304 | |
| 7 | MOTOR CASING PLATE | Stainless steel AISI 304 | |
| 8 | MOTOR SHAFT | Stainless steel EN 10088-3 - 1.4104 | |
| 9 | SHAFT WITH DOUBLE SEAL AND OIL CHAMBER | | |
| | <i>Seal</i> | <i>Shaft</i> | <i>Materials</i> |
| | <i>Model</i> | <i>Diameter</i> | <i>Stationary ring</i> <i>Rotational ring</i> <i>Elastomer</i> |
| | AR-12R | Ø 12 mm | Ceramic Graphite NBR |
| 10 | LIP SEAL | Ø 12 x Ø 19 x H 5 mm | |
| 11 | BEARINGS | 6201 ZZ / 6201 ZZ | |
| 12 | CAPACITOR | | |
| | <i>Capacitance</i> | | |
| | (230 V or 240 V) | (110 V) | |
| | 10 µF 450 VL | 16 µF 250 VL | |
| 13 | ELECTRIC MOTOR | | |
| | <ul style="list-style-type: none"> - Single-phase 230 V - 50 Hz with thermal overload protector built-in to the winding - Insulation: F class - Protection: IP 68 | | |
| 14 | HANDLE ASSEMBLY (resin sealed) | | |
| | Complete with: <ul style="list-style-type: none"> - 5 metre long "H07 RN-F" power cable with Schuko plug - Float switch. | | |
| 15 | HOSE CONNECTOR WITH UNION | | |
| | Hose connection Ø 35 mm | | |



DIMENSIONS AND WEIGHT



| MODEL | PORT | DIMENSIONS mm | | | | | | | | | kg | |
|---------------|------|---------------|-----|-----|-----|----|-----|----|-----|-----|-----|--|
| | | a | b | h | h1 | d | e | g | p | Ø | | |
| Single-phase | DN | | | | | | | | | | | |
| TOP-VORTEX/GM | 1¼" | 152 | 200 | 288 | 268 | 25 | 170 | 40 | 350 | 220 | 5.2 | |

ABSORPTION

| MODEL | VOLTAGE (single-phase) | | |
|---------------|------------------------|-------|-------|
| | Single-phase | 230 V | 240 V |
| TOP-VORTEX/GM | 2.0 A | 2.0 A | 5.3 A |

PALLETIZATION

| MODEL | GROUPAGE | | | CONTAINER | | |
|---------------|----------|--------|-----|-----------|--------|-----|
| | n° pumps | H (mm) | kg | n° pumps | H (mm) | kg |
| Single-phase | | | | | | |
| TOP-VORTEX/GM | 96 | 1360 | 520 | 144 | 1970 | 771 |

