

# VX-I "VORTEX"

## Submersible pumps

for sewage water



### PERFORMANCE RANGE

- Flow rate up to **400 l/min** (24 m<sup>3</sup>/h)
- Head up to **10 m**

### APPLICATION LIMITS

- **5 m** maximum immersion depth
- Maximum liquid temperature **+40 °C**
- Solids passage:
  - up to **Ø 40 mm** for VX8/35I - VX10/35I
  - up to **Ø 50 mm** for VX8/50I - VX10/50I
- Minimum immersion depth for continuous service:
  - **270 mm** for VX8/35I - VX10/35I
  - **300 mm** for VX8/50I - VX10/50I

### CONSTRUCTION AND SAFETY STANDARDS

- Complete with **5 m** long power cable
- Float switch for single-phase versions

EN 60335-1  
IEC 60335-1  
CEI 61-150

EN 60034-1  
IEC 60034-1  
CEI 2-3



### CERTIFICATIONS



### INSTALLATION AND USE

Suitable for use with **sewage water** in domestic, civil and industrial applications or in any other situation, such as with water mixed with mud, with groundwater and with surface water, where the water contains suspended solids. They are suitable for use in applications such as for draining flooded areas such as cellars, underground car parks, car washes, for emptying cesspools and for sewage disposal. These pumps distinguish themselves for their reliability, which can be best appreciated under automatic operating conditions in fixed installations.

### PATENTS - TRADE MARKS - MODELS

- Patent pending n° BO2008A000494, BO2008A000496

### OPTIONALS AVAILABLE ON REQUEST

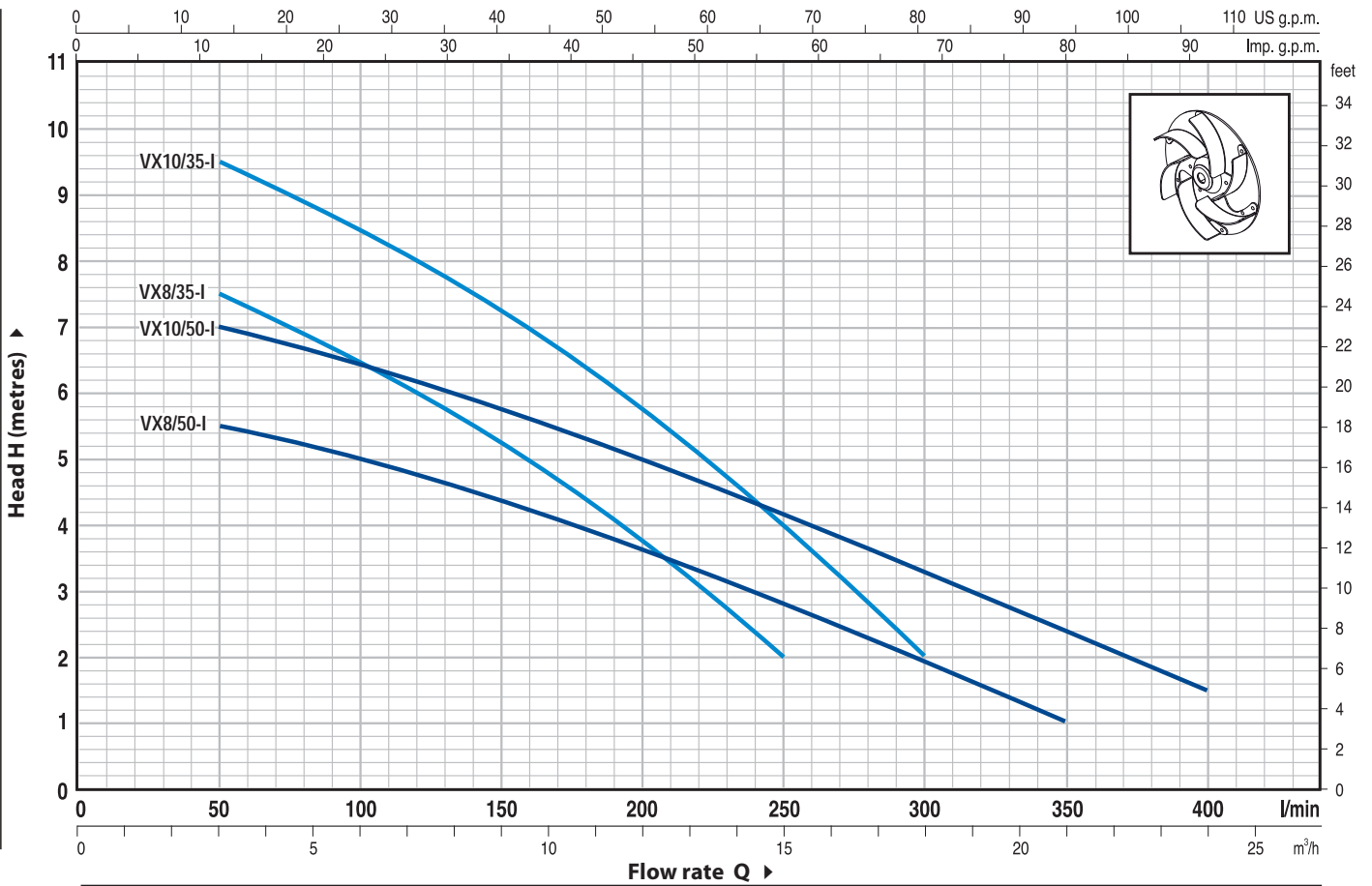
- Pumps with a **10 m** long power cable
  - ➔ N.B. Standard EN 60335-2-41 states that the power cable must be 10 m long for outdoor applications
- Single-phase pumps without float switch
- Other voltages or 60 Hz frequency

### GUARANTEE

2 years subject to terms and conditions

**CHARACTERISTIC CURVES AND PERFORMANCE DATA**

**50 Hz n= 2900 1/min**



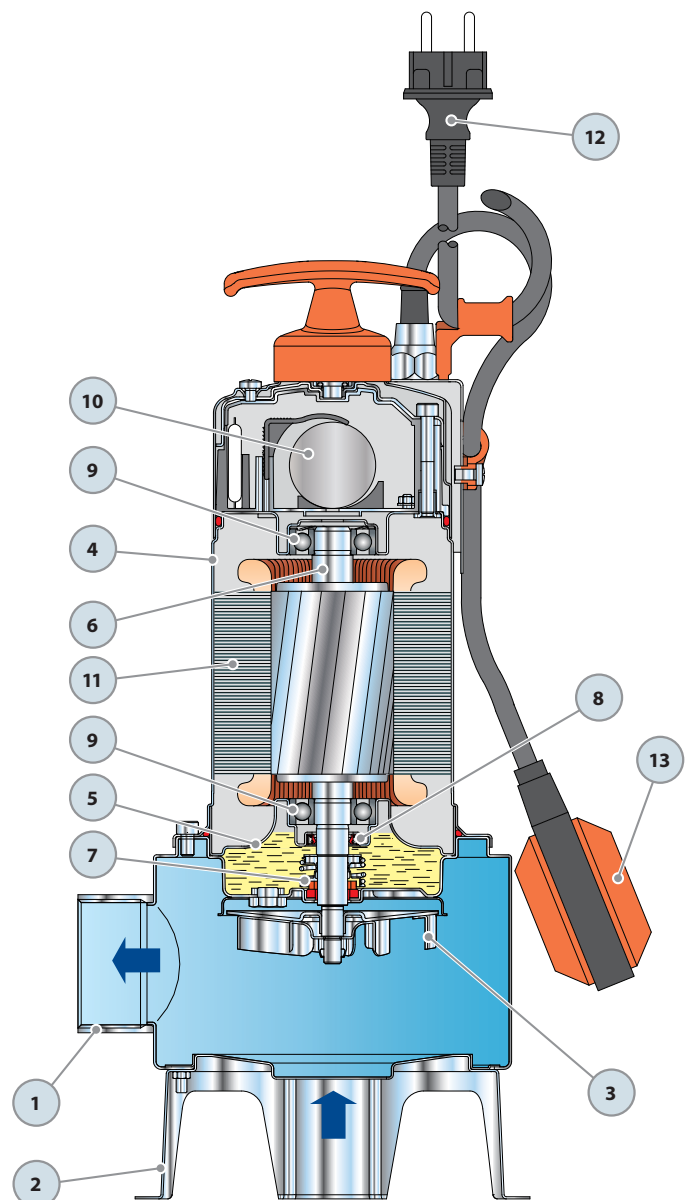
MODEL		POWER		Q	H metres											
Single-phase	Three-phase	kW	HP		0	3	6	9	12	15	18	21	24			
VXm 8/35-I	-	0.55	0.75	0	8.4	7.5	6.5	5.2	3.7	2						
VXm 10/35-I	VX 10/35-I	0.75	1	3	10	9.5	8.5	7.2	5.8	4	2					
VXm 8/50-I	-	0.55	0.75	6	6	5.5	5	4.4	3.6	2.8	2	1				
VXm 10/50-I	VX 10/50-I	0.75	1	9	7.5	7	6.5	5.8	5	4	3.2	2.4	1.5			

Q = Flow rate H = Total manometric head

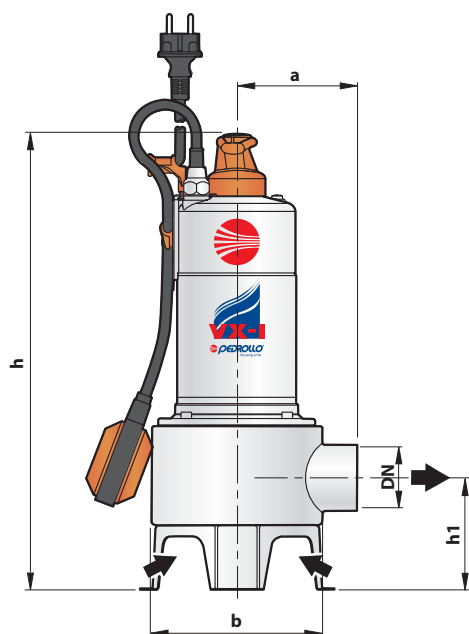
Tolerance of characteristic curves in compliance with EN ISO 9906 App. A.

# VX-I "VORTEX"

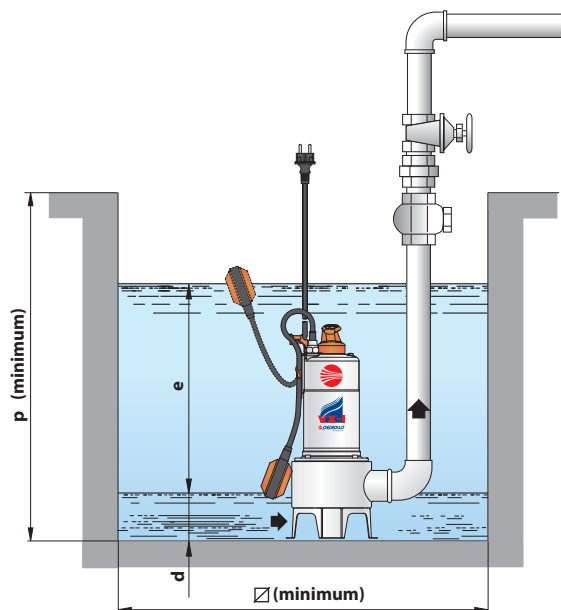
POS.	COMPONENT	CONSTRUCTION CHARACTERISTICS			
1	PUMP BODY	Stainless steel AISI 304, with threaded port in compliance with ISO 228/1			
2	BASE	Stainless steel AISI 304			
3	IMPELLER	Stainless steel AISI 304 VORTEX type			
4	MOTOR CASING	Stainless steel AISI 304			
5	MOTOR CASING PLATE	Stainless steel AISI 304			
6	MOTOR SHAFT	Stainless steel EN 10088-3 - 1.4104			
7	<b>SHAFT WITH DOUBLE SEAL AND OIL CHAMBER</b>				
	<i>Seal</i>	<i>Shaft</i>	<i>Materials</i>		
	<i>Model</i>	<i>Diameter</i>	<i>Stationary ring</i>	<i>Rotational ring</i>	<i>Elastomer</i>
	MG1-14 SIC	Ø 14 mm	Ceramic	Silicon carbide	NBR
8	LIP SEAL	Ø 15 x Ø 24 x H 5 mm			
9	BEARINGS	6203 ZZ / 6203 ZZ			
10	<b>CAPACITOR</b>				
	<i>Pump</i>	<i>Capacitance</i>			
	<i>Single-phase</i>	<i>(230 V or 240 V)</i>	<i>(110 V)</i>		
	VXm 8/35-I				
	VXm 8/50-I	20 µF 450 VL	30 µF 250 VL		
	VXm 10/35-I				
	VXm 10/50-I				
11	<b>ELECTRIC MOTOR</b>				
	<ul style="list-style-type: none"> <li>- Single-phase 230 V - 50 Hz with thermal overload protector built-in to the winding</li> <li>- Three-phase 400 V - 50 Hz</li> <li>- Insulation: F class</li> <li>- Protection: IP 68</li> </ul>				
12	<b>POWER CABLE</b>				
	5 metre long "H07 RN-F" cable (with Schuko plug on single-phase versions only)				
13	<b>FLOAT SWITCH</b>				
	(only for single-phase versions)				



## DIMENSIONS AND WEIGHT



Typical installation



MODEL		PORT DN	solids passage	DIMENSIONS mm								kg	
Single-phase	Three-phase			a	b	h	h1	d	e	p	Ø	1~	3~
VXm 8/35-I	-	1½"	Ø 40 mm	108	166	404	87	50	variable	500	500	9.5	-
VXm 10/35-I	VX 10/35-I											10.8	9.3
VXm 8/50-I	-	2"	Ø 50 mm	118		434	108	60				9.4	-
VXm 10/50-I	VX 10/50-I											10.6	9.2

## ABSORPTION

MODEL	VOLTAGE (single-phase)		
	230 V	240 V	110 V
Single-phase	230 V	240 V	110 V
VXm 8/35-I	3.3 A	3.3 A	7.6 A
VXm 10/35-I	5.0 A	5.0 A	11.5 A
VXm 8/50-I	3.5 A	3.5 A	8.0 A
VXm 10/50-I	5.0 A	5.0 A	11.5 A

MODEL	VOLTAGE (three-phase)			
	230 V	400 V	240 V	415 V
Three-phase	230 V	400 V	240 V	415 V
VX 10/35-I	3.6 A	2.1 A	3.6 A	2.1 A
VX 10/50-I	3.6 A	2.1 A	3.6 A	2.1 A

## PALLETIZATION

MODEL		GROUPAGE			CONTAINER				
Single-phase	Three-phase	n° pumps	H (mm)	kg		n° pumps	H (mm)	kg	
				1~	3~			1~	3~
VXm 8/35-I	-	60	1520	588	-	80	1980	778	-
VXm 10/35-I	VX 10/35-I	60	1520	662	576	80	1980	877	762
VXm 8/50-I	-	60	1520	579	-	80	1980	766	-
VXm 10/50-I	VX 10/50-I	60	1520	652	569	80	1980	864	753

